



DIN rail, Type 3 / Class III multi-purpose SPD with anti-vibration pluggable module for use in TT or TN single-phase system at boundaries from LPZ 0_B-1 and higher.

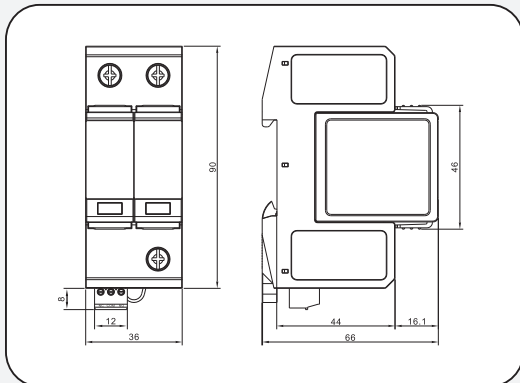
Features

- Non-destructive screening technology for MOV
- Reliable thermo disconnect device
- High discharge capacity
- Consisting of a base part and pluggable modules
- Easy replacing and anti-vibration due to module releasing and locking system
- Multifunctional terminals for connecting conductors and busbars
- Visual and remote status indication

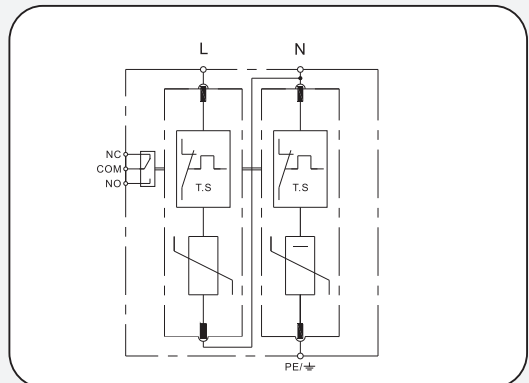
Approval

TUV, CE, RoHS, UL 94V-0

Dimension drawing



Circuit diagram

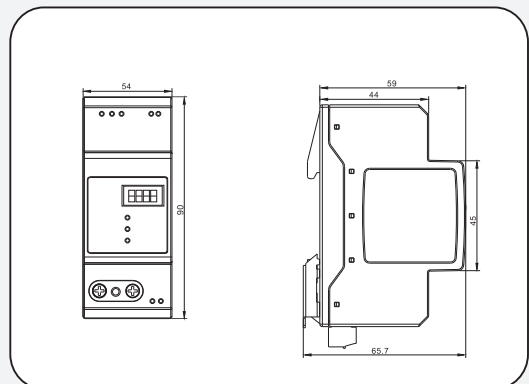


Monitoring module

Function: degradation monitoring
lightning monitoring
system communication



Dimension drawing



name	type	page
------	------	------

SPD monitoring module	LCS1-11	84
-----------------------	---------	----

Type	T60AC-1+1	T60AC-1+1-S
Part No.	93 11 30	93 11 31
Electrical		
SPD according to IEC 61643-1/11		Class III
SPD according to EN 61643-11		Type 3
SPD according to GB 18802.1		Class III
Number of ports		1
Technology		MOV
Max. continuous operating voltage (U _c)		60Vac
Nominal discharge current (8/20 μs) (I _n)		3 kA
Combined impulse (UOC)		6 kV
Voltage protection level (U _p)		0.35kV
Response time (t _d)		≤ 25 ns
Max. overcurrent protection		≤ 25 AgL / gG
Short circuit withstand capability		6 kA _{ms}
Temporary overvoltage (TOV) (U _T)		--
TOV characteristic		--
Mechanical		
Method of mounting		35 mm DIN rail
Enclosure dimensions (HxWxD)	90 mm × 36 mm × 66 mm	+ 90 mm × 54 mm × 66 mm
Cross-sectional area (max.)		25 mm ² stranded / flexible
Cross-sectional area (min.)		1.5 mm ² stranded / flexible
Stripping length terminals		10 mm
Torque contacts		3 N*m
Indication		
Operating status/fault indication		Green / red
Type of remote signaling contact		Changeover contact
Switching capacity		125 Vac / 1 A, 125 Vdc / 0.2 A
Cross-sectional area for remote signaling terminals (max.)		1.5 mm ²
Stripping length for remote signaling terminals		7 mm
Torque contacts for indication terminals		0.2 N*m
Environmental		
Location category		Indoor only
Operation temperature range (T _o)		-40°C ... +70°C
Relative humidity		≤ 95%
Operation altitude		≤ 4 km
Degree of protection		IP 20
Enclosure material		Thermoplastic, UL 94 V-0
Monitoring		
Communication mode	--	RS485/ZIGBEE
Monitoring approach	--	Remote signaling of SPD, Action time of lightning, Air-switch
Action current of lightning time	--	current of lightning ≥ 3KA
Reset	--	software