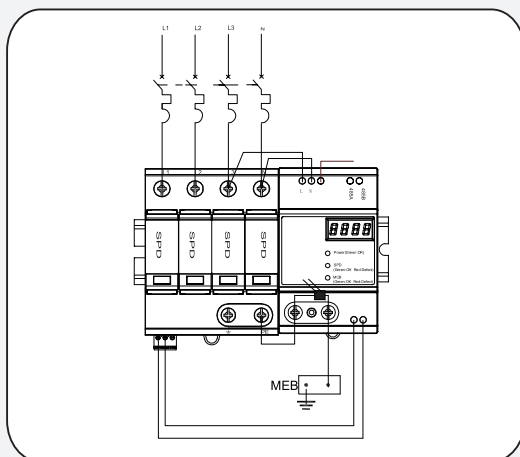
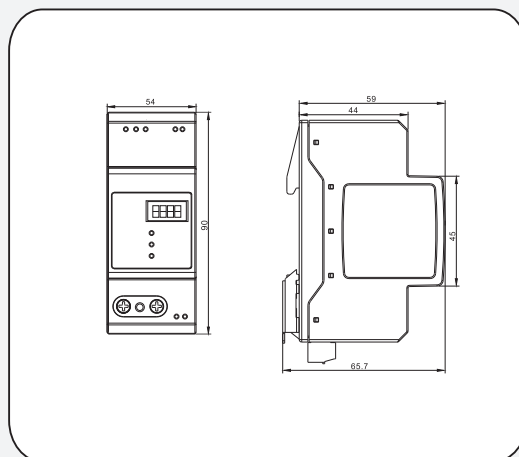


Type	LCS1-11
Part No.	99 11 01
Monitoring	
Monitoring approach	Remote signaling of SPD, Action time of lightning, Air-switch
Action current of lightning counter	Current of lightning $\geq 3\text{KA}$
Operating status indication	Run indication, SPD status indication, MCB status indication
ID	Software settings
Communication	
Communication protocol	ZEDA protocol
Networking mode	Flexible networking
Communication mode	RS485/ZIGBEE
Transmission rate	Tunableness
Power supply	AC220V
Reset	Software settings
Mechanical	
Method of mounting	35 mm DIN rail
Enclosure dimensions (HxWxD)	90 mm \times 54 mm \times 66 mm
Cross-sectional area (max.)	2.5 mm ² stranded / flexible
Cross-sectional area (min.)	1 mm ² stranded / flexible
Stripping length terminals	7 mm
Torque contacts	0.2 N*m
Environmental	
Location category	Indoor only
Operation temperature range (T _v)	-40°C ... +70°C
Relative humidity	$\leq 95\%$
Operation altitude	$\leq 4\text{ km}$
Degree of protection	IP 20
Enclosure material	Thermoplastic, UL 94V-0

wiring diagram



Dimension drawing



Function: degradation monitoring, lightning monitoring, system communication